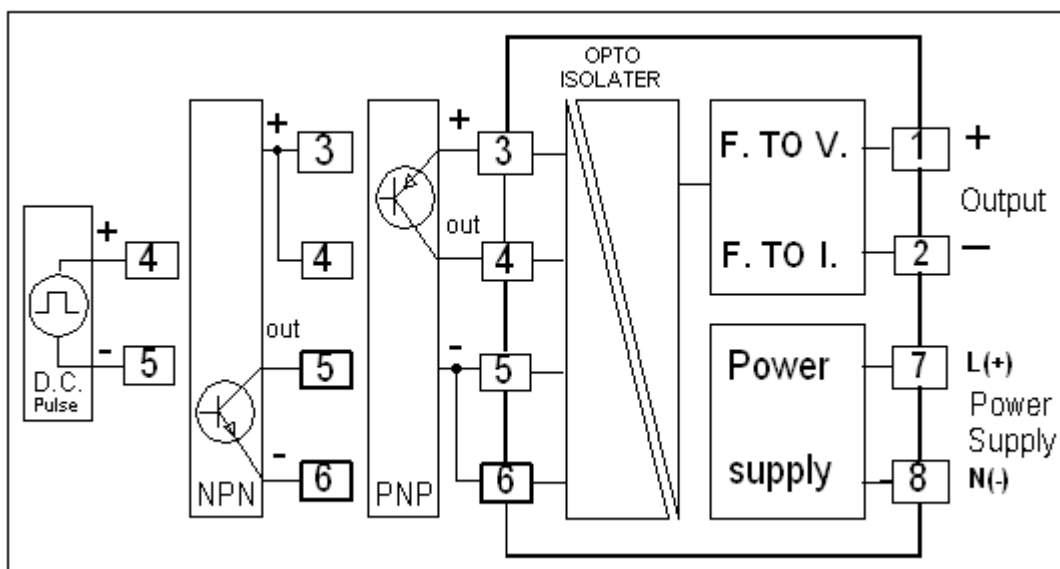


# Frequency Transmitter FT20



- High accuracy
- Convert frequency to voltage or current to voltage or current
- Selectable input frequency
- Complete input – output isolation

**Frequency Transmitter FT20** accepts pulse rate input from turbine meter, contact closures, proximity switch, magnetic shaft speed pickup and other frequency generating devices. Output is proportional to input frequency in standard current or voltage signal. Output ripple is less than 10 mv Peak-to-peak to meet requirements for direct input to a process computer.



## Specifications

### Frequency Input

**Number of channel:** 1 Channel

**Input type:** Frequency (3 Wire D.C. proximity switch NPN or PNP)

**Input range:** 25 Hz, 50 Hz  
100 Hz, 200 Hz, 400 Hz, 800 Hz  
1.6 KHz, 3.2 KHz, 6.4 KHz, 12.8 KHz

### Sensor Power Supply:

12 VDC @ 20 mA

**Span:** Adjustable  $\pm$  50% of selected input frequency

**Zero:** Adjustable  $\pm$  10% of selected input frequency

### Analog Output

**Number of channel:** 1 Channel

**Output type:** Current, Voltage

### Output range:

Current (0 to 20, 4 to 20 mA)  
Voltage (0 to 5, 1 to 5, 0 to 10 VDC)

**Accuracy:**  $\pm$  0.5 % of span

**Isolation voltage:** Input, output and power supply and isolated with no D.C. connections

**Ordering Information:** Specify input frequency, output, power supply

Example FT20/0-200 Hz/4-20 mA/220 VAC

### Package Checklist

1. FT20

### Power Requirements

**Power Supply:** 110, 220 VAC (24 VDC Option)

### Environmental Limits

**Operating Temperature:** 0 to 55 °C

**Operating Humidity:** 5 to 95% RH

**Storage Temperature:** 0 to 70 °C

### Physical Characteristics

**Dimension:** W50 x H70 x D130 mm.

**Mounting:** Wall or DIN rail

**Connection:** Plug - in 11 pins socket

### Warranty

**Warranty Period:** 5 year